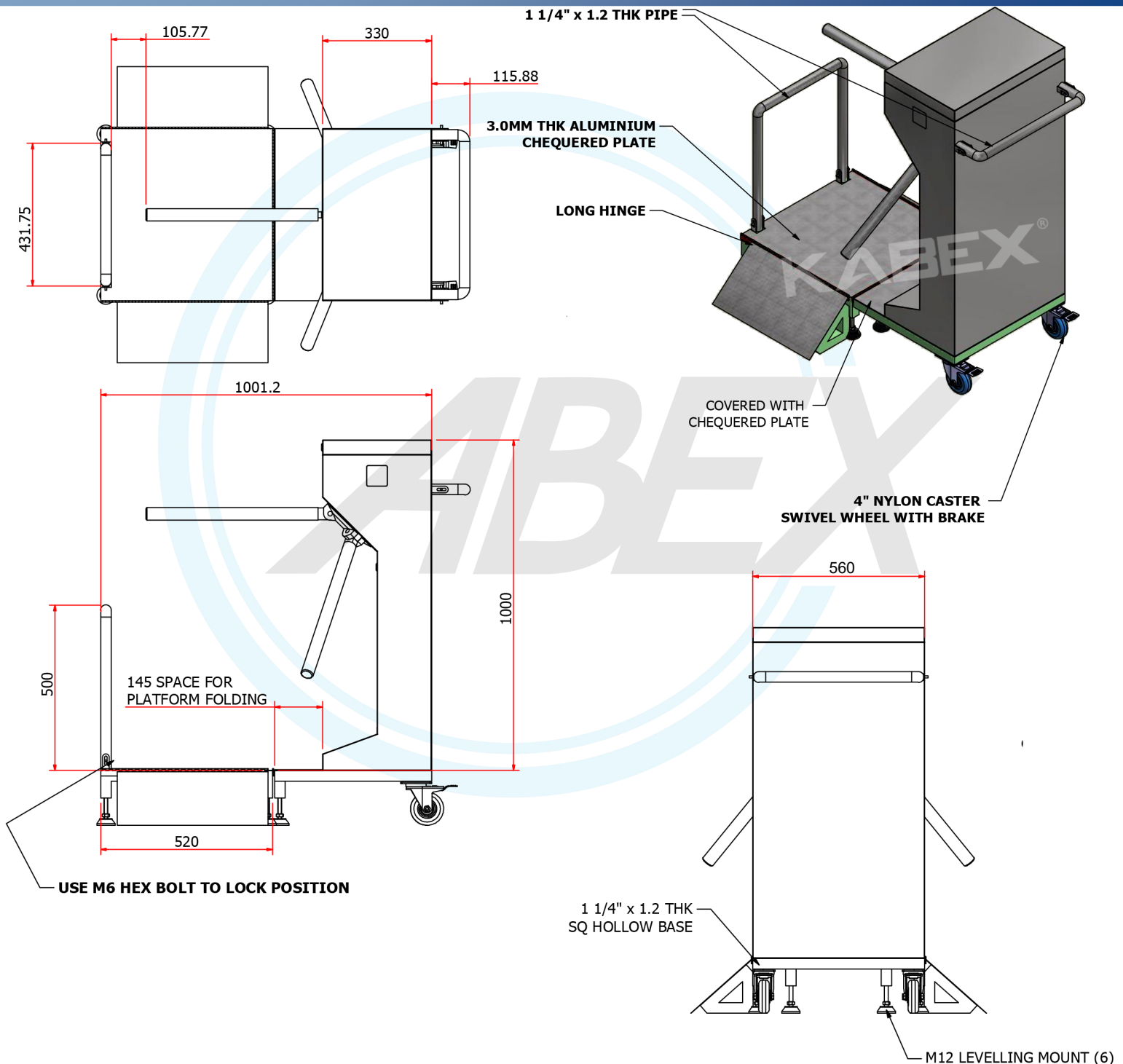


# MOBILE TRIPOD BARRIER

## DESCRIPTION

- Fully mobile, Plug & Play compact tripod.
- Can be integrate with any card readers/ scanner and connect direct to any management software
- Suitable for mid/ large scale events as automated replacements to traditional ticket checkers at the venue entrance.
- Designed to allow single entry for each authorization thus proof to certain types of ticket fraud and also improve crowd control within venue
- Cost effective solutions to reduce operational expenditure of each event



## SPECIFICATIONS

<b>Functions</b>	Bi-directions, electronically controllable with card readers/scanners Foldable for easy storage
<b>Material</b>	SS304 and Mild Steel Powder Coated
<b>Drive</b>	Hand Operated (Optional Servo Motor with encoder)
<b>Mechanism</b>	Electro-mechanical mechanism at the top section of the casework a positive lock action to prevent two passes at one time, a self centering mechanism to ensure complete rotation, a spring damper to ensure smooth operation and anti-backup device to prevent reverse rotation. Standard Drop Arm feature, Arm will drop automatically during power failure or during emergency.
<b>Orientation</b>	Pass left or Pass right
<b>Operation</b>	<b>Flash Card Reader Mounting</b> (Surface mounting for customer supplied readers) <b>Status light</b> (Directional Signage Green Arrow/Red Cross) <b>Push Button Control</b> (Simple remote push button console) <b>Digital Usage Counters</b> (electro-mechanical, re-settable/non counter inside tripod) <b>Mechanical Operation</b> (non-electrical allowing free movement, reverse direction-locked) <b>LED Signage</b> (Directional/Signage Green Arrow/Red Cross)
<b>Power Supply</b>	230V AC 50/60 Hz
<b>Fire Alarm</b>	Input Available
<b>Delivery Details</b>	Fully assembled , weight: 55 Kg

## ORDERING INFORMATION

MT-SS304-D	Mobile Tripod, Stainless Steel (SS304) housing 1.5mm thk
------------	--