

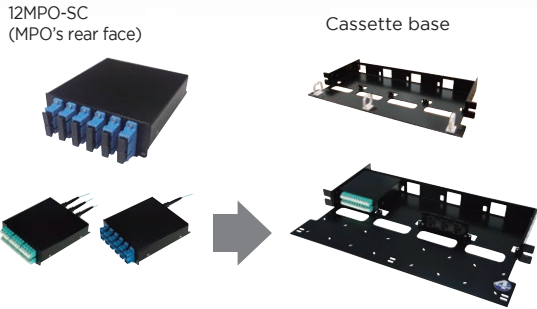
Optical Connectors

Multi-Fiber Optical Connector & Application / MPO polarity & Basic connection with optical transceivers

MPO Cassettes

MPO Cassette

- A cassette that makes it easy to switch the connection between a multi-fiber MPO connector and single-fiber connector (SC or LC)
- Can be accommodated in the 1U space of a 19 inch rack
- Can accommodate maximum of 24 fibers x 8 cables (192 fibers)



Product name		MPO cassette	
Max. number of connectable fibers	12	24	
Connector	12MPO-SC	12MPOx2-LC	
Adapter-fitting face	MPO Rear face		MPO Rear face
Insertion loss	Low	0.55 dB max. (Against Master)	
	Standard	1.05 dB max. (Against Master)	
Fiber Type	MM50, MM50 (10G)		
Fixing method	Screw		
Place of installation	MPO cassette base		
Dimensions	108(W)x116(D)x39(H) mm (excepting protrusions)		

*: Single-fiber adapters should be placed on the front face.
 *: The MPO plugs are fitted with a guide pin.

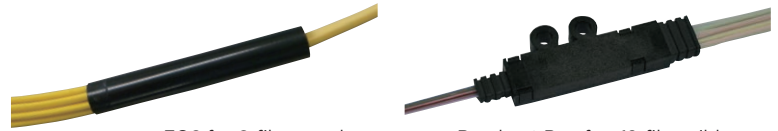
Product name	MPO cassette base A	MPO cassette base C
19-inch rack-mountable	✓	✓
Cord tray	✓	—
Number of MPO cassette per cassette base	4 cassettes/cassette base	4 cassettes/cassette base
Number of adaptor panel per cassette base	4 panels/cassette base	4 panels/cassette base
Size	1U	1U
Dimensions	470(W)x43.5(H)x230(D)mm	462(W)x43.5(H)x134(D)mm

Optical Fan-out

Transition Pieces

Features

- Various types of devices for separating multi-fiber ribbons into individual fibers are available.

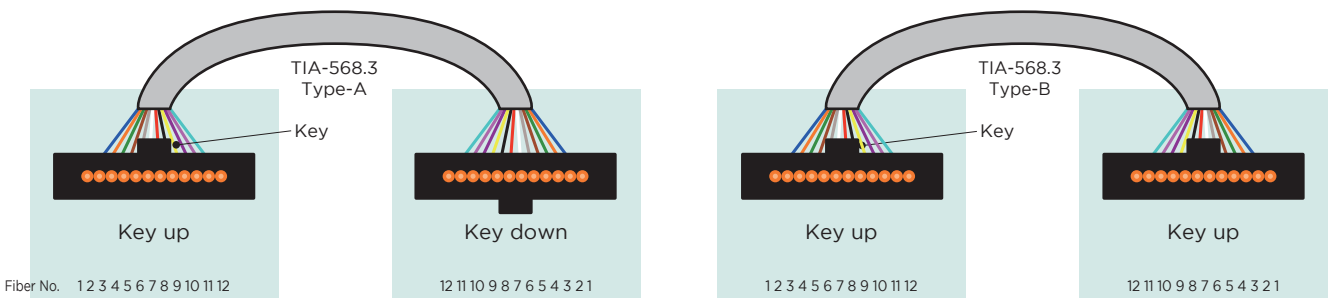


Shape	Type	Number of usable fibers	External dimensions[mm]	Shape on Multi-fiber side	Shape on Single-fiber side
Round	F08	2,4,8	φ8x50	Cord	Cord
	F011L	12	φ11x54	Cord	Cord
Rectangular	Breakout Box	4,8,12	39x11x5	Ribbon	φ0.9mm fiber

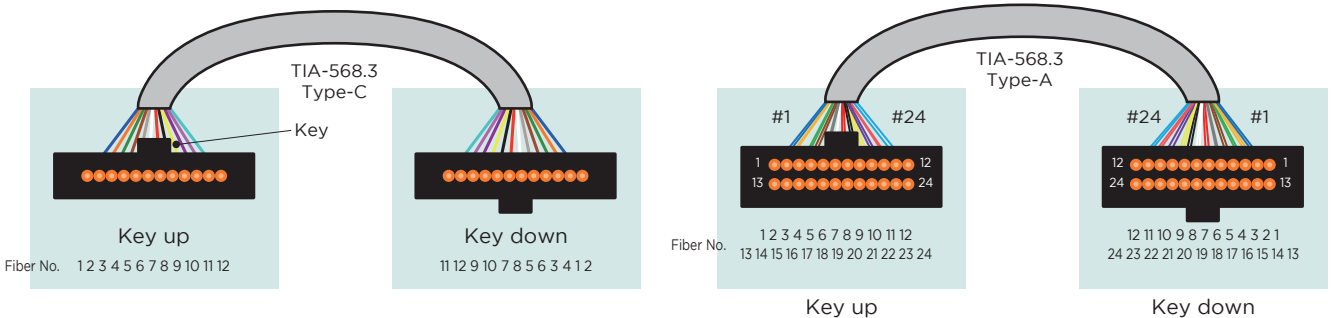
* For more information about the cord to be connected on the single fiber side, contact Sumitomo Electric.

MPO polarity & Basic connection with optical transceivers

12MPO connector polarity



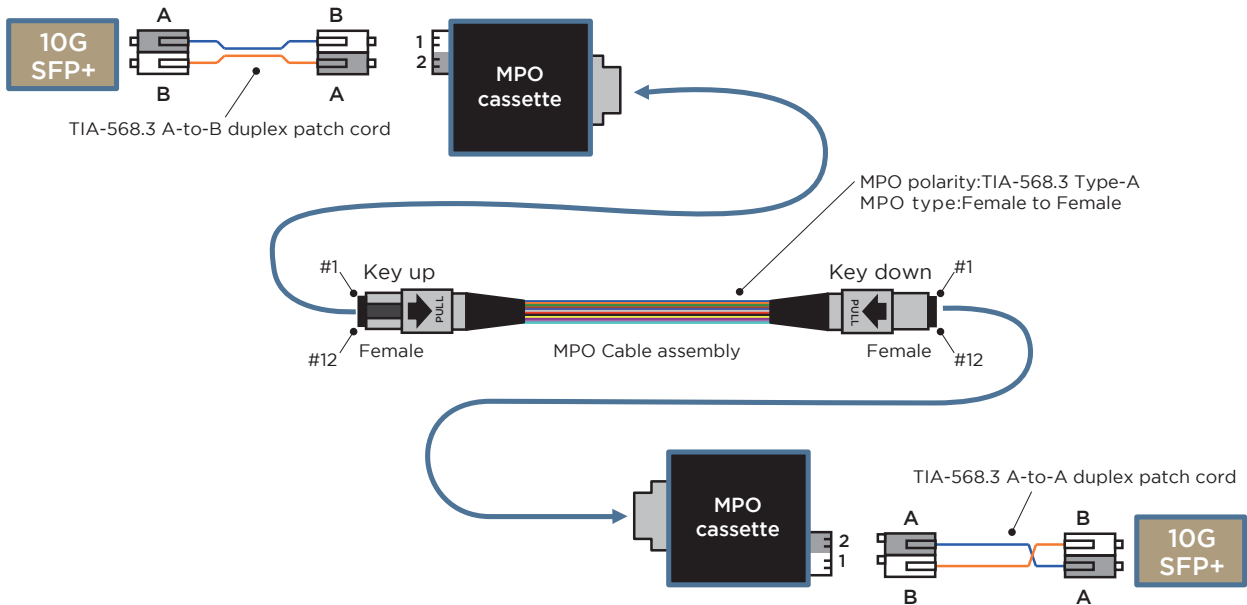
24MPO connector polarity



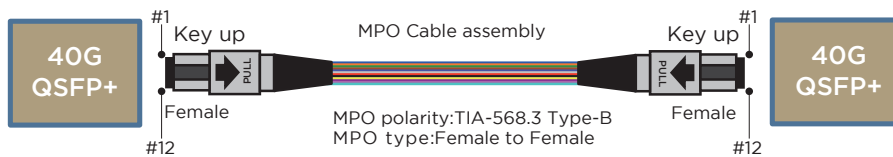
MPO polarity & Basic connection with optical transceivers

Basic connectivity of 10G BASE-SR(12 MPO)

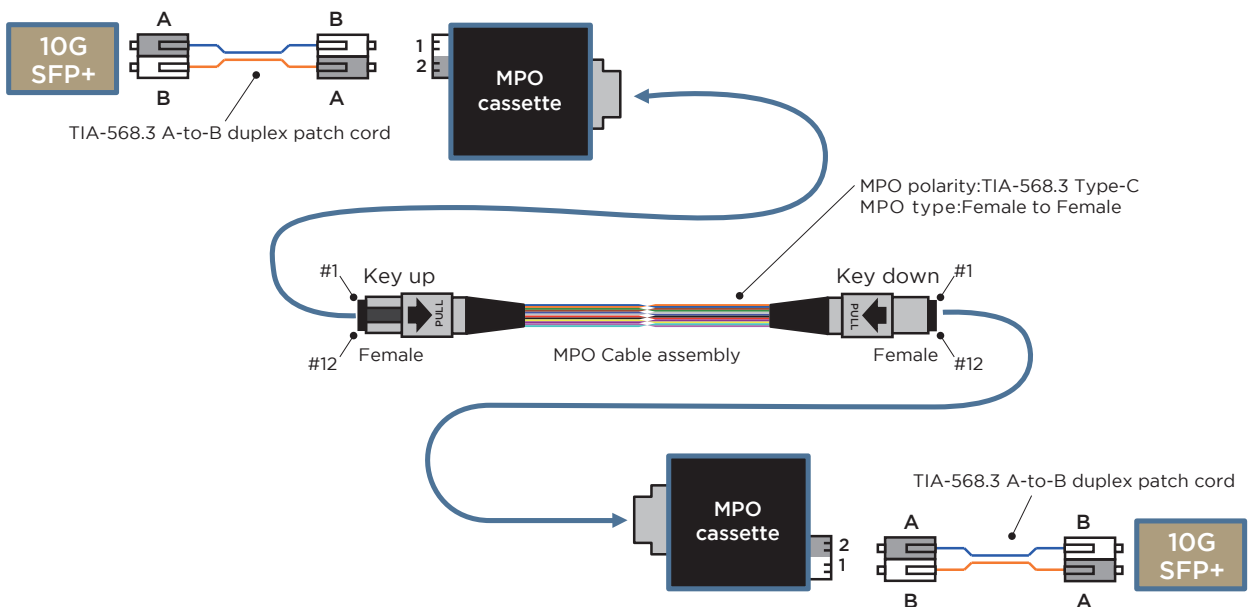
TYPE-A



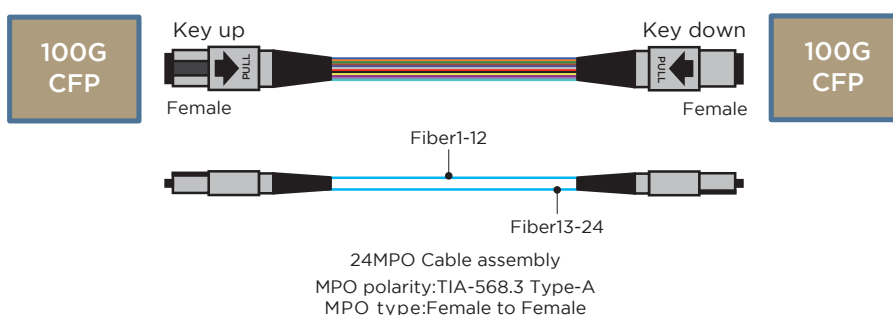
Basic connectivity of 40G BASE-SR4 without patch cord (12MPO/Q8MPO)



TYPE-C



Basic connectivity of 100G BASE-SR10 (24MPO)



Optical Connectors

Tough and Flexible Cable Assembly for Indoor Installation / SC Connector with shutter

PureFlex™-slim cable

Adequate strength, remarkable tenacity, and exceptional ease of storage.

PureFlex™-slim is an epoch-making fiber-optic cable for indoor installation, allowing the technician to handle it as casually as a power cord.

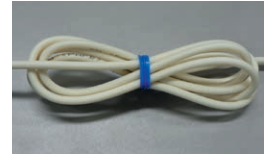
- New face of the PureFlex™ series of sturdy cables are resistant to being stepped on and bending. Just 3 mm in outside diameter, PureFlex™-slim brings about substantial improvements in reliability and look.
- Makes the most of the highly bending-resistant Access series fibers. (Permissible bending radius of 15mm when incorporating PureAccess™-PB and of 7.5mm for use with PureAccess™-[A2])
- Strong and tenacious, this cable can be tied up to make an excess length compact or can be accommodated in an ONU with ease.



Cable type	PureFlex™-slim
Number of fibers	1
Standard cable outside diameter	3.0mm
Permissible side pressure	< 0.1dB @ 1200 N/25mm for 1min
Permissible bending radius	7.5mm (When incorporating G.657.A2) 10mm (When incorporating G.657.A1)
Applicable connector	SC with shutter



Adequate strength



Remarkable tenacity



Exceptional ease of storage



Strong against right-angle bending

SC connector with shutter

Substantially improved SC connector with its ease of handling.

When disconnected, the shutter at the end of the connector closes to prevent soiling or damage to the ferrule end face.

- When the connector is engaged, the shutter self-retracts in the connector.
- Designed not to allow leakage of light, this connector prevents the light from entering the eye.

Fully compatible with SC connector

The SC connector with shutter accommodates any cord or cable that can be attached to an SC connector.

Connector type	s-SC
Applicable fiber (Optical fiber code)	SM(PAA2)
Connecting Loss (To master)	< 0.5dB
Return Loss (Type of polishing)	> 40dB (SPC)
Housing color	Black
Connector boot color	White

Connector disengaged from adapter

The shutter housing extends automatically and the metal shutter closes.

Connector engaged with adapter

As the shutter opens by itself, the connector serves as an ordinary SC connector.

