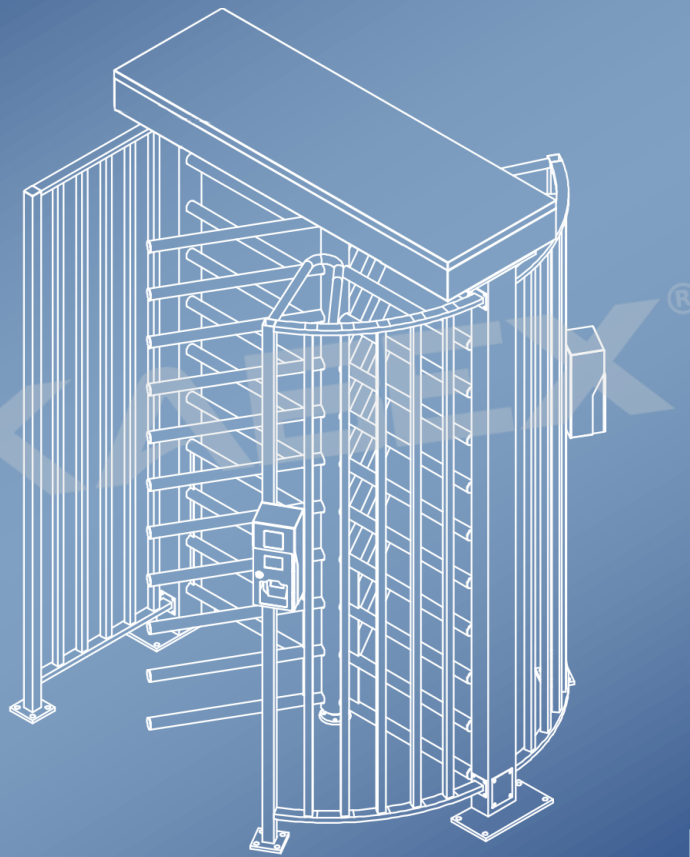




FULL HEIGHT TURNSTILES



KABEX®

DESCRIPTION

Turnstile for automatic access control with card readers. Prevents unobserved, unauthorized, simultaneous entry .

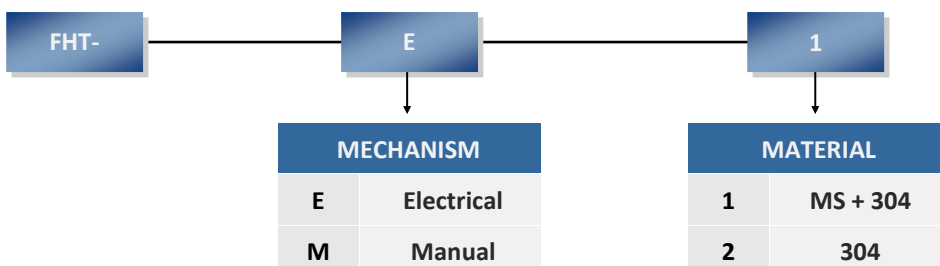


SPECIFICATIONS

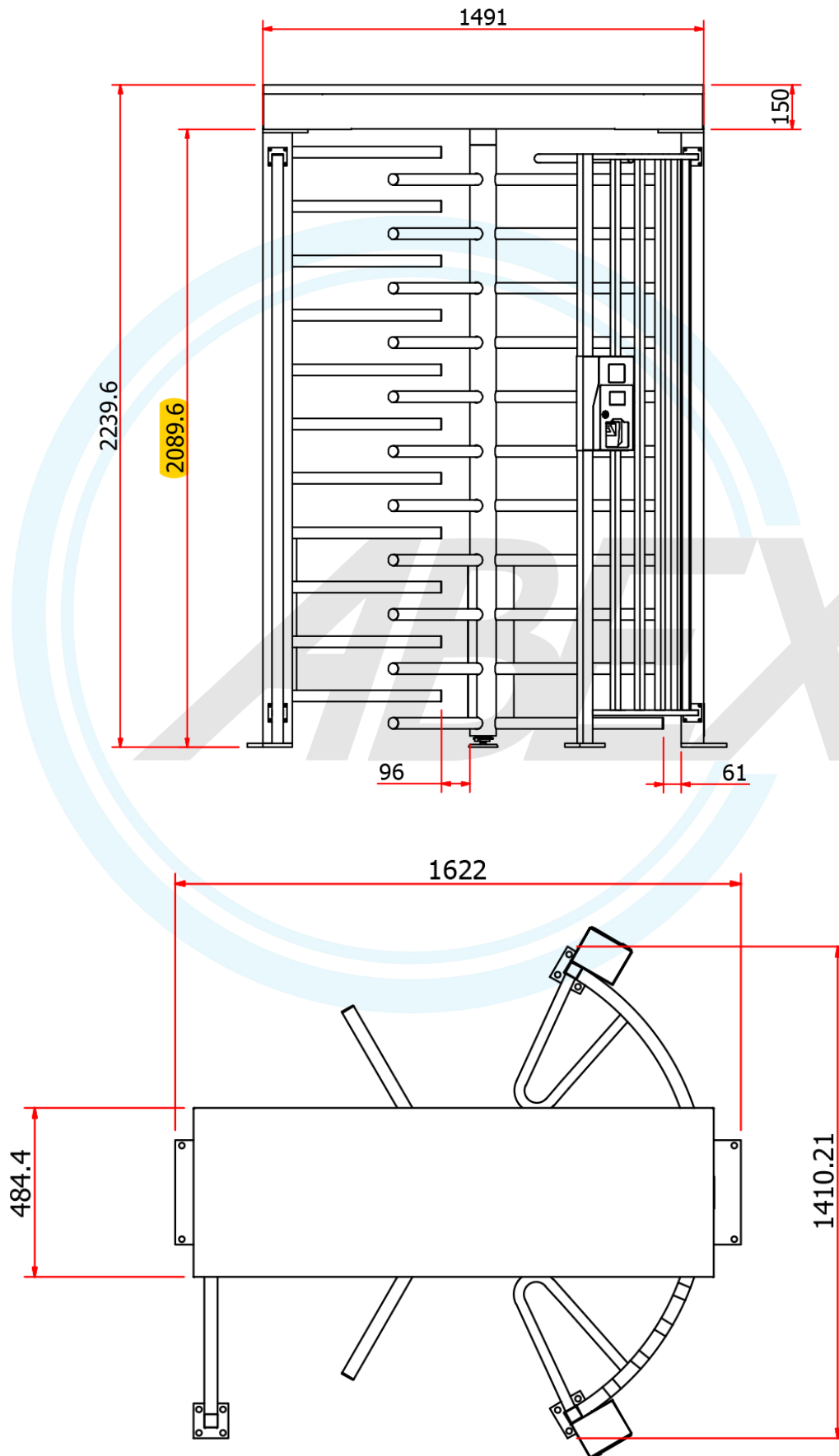
Construction	Column with straight bars in SS304 <i>(Optional cage and top housing in MS epoxy coated)</i> <i>(Optional in full SS304)</i>
Central System	- Electronically Controlled, locked by Solenoid - Manual System, locked by Key Switch
Security Features	Auto reset on lock release after 6 seconds (Adjustable)
In The Event Of Power Failure	Full release both direction or complete lockdown
Installation	On furnished floor
Power	230V, 50Hz, back up battery optional
Optional	- LED and card reader housing - SS304 - Digital Usage Counter - LED Directional Display

ORDERING INFORMATION

EXAMPLE : FHT-E1



KUMPULAN ABEX SDN BHD



*All dimension in mm

Rev No : K-01
Printed Date : 14/12/2023